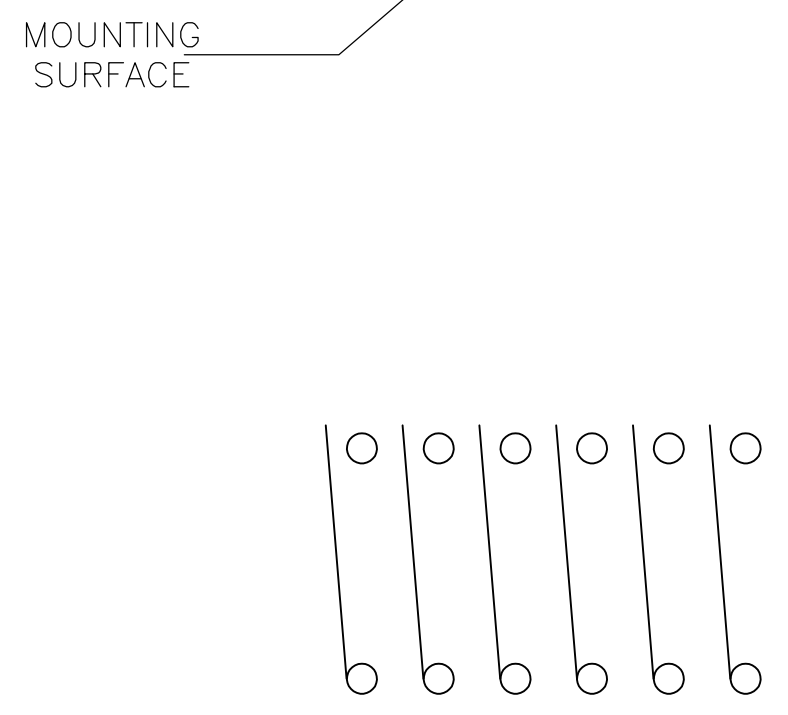
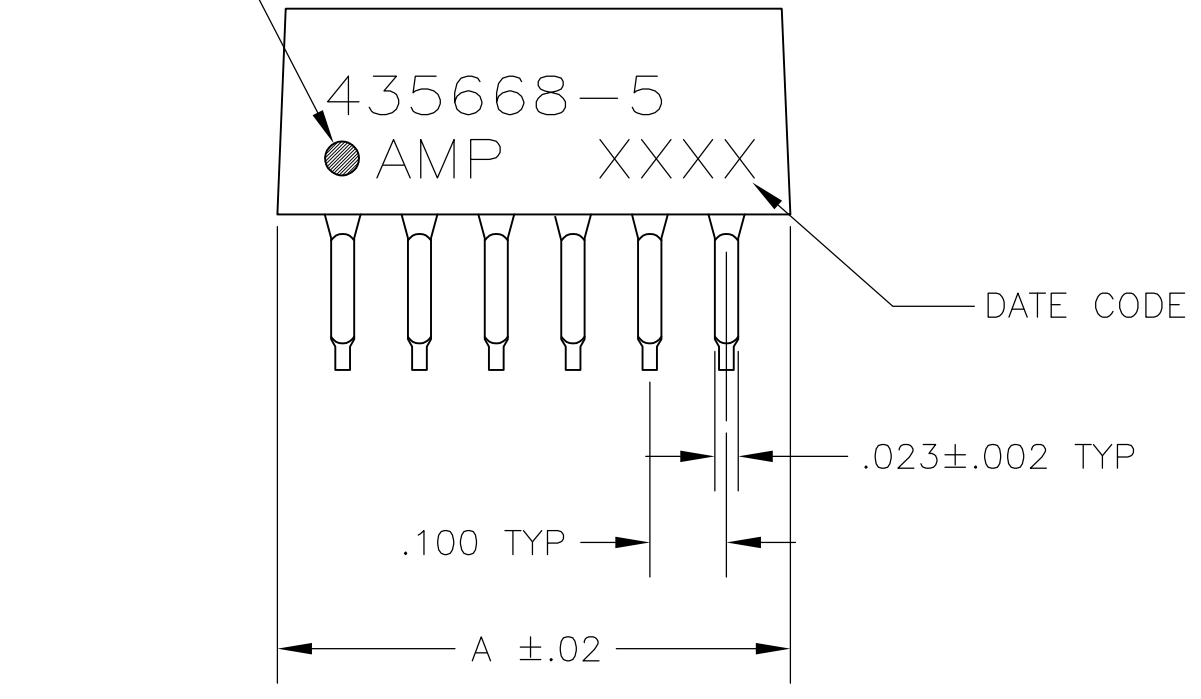
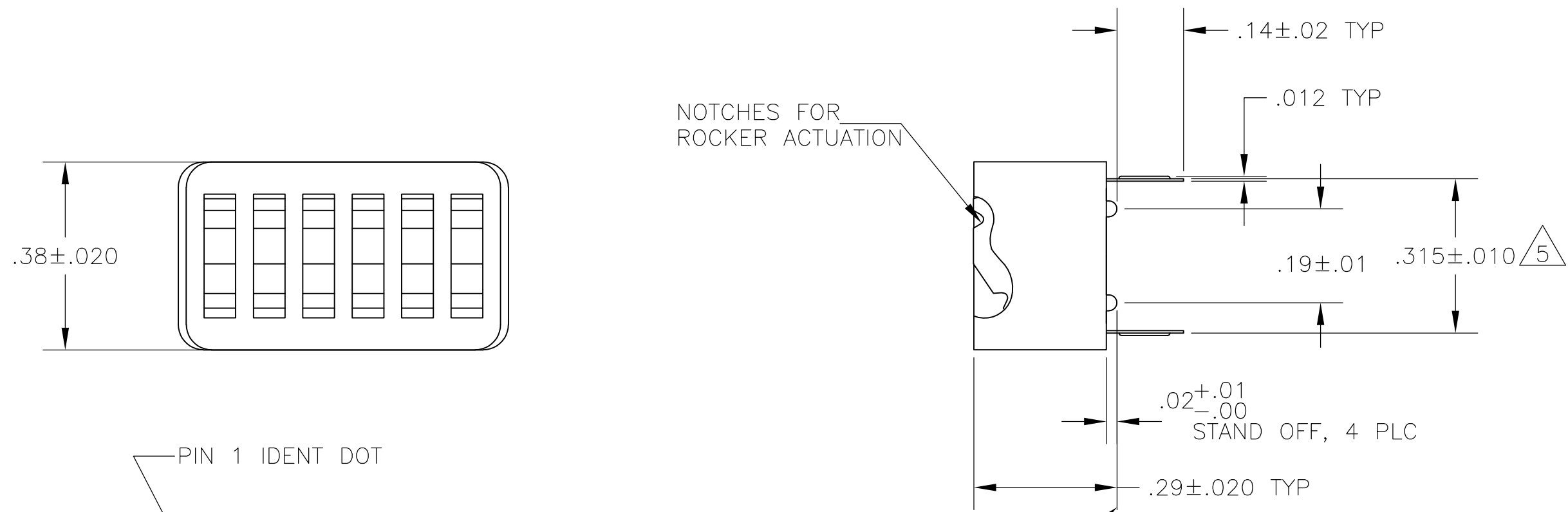


THIS DRAWING IS UNPUBLISHED. RELEASED FOR PUBLICATION  
 © COPYRIGHT - By - ALL RIGHTS RESERVED.

LOC		DIST		REVISIONS			
P	LTR	DESCRIPTION	DATE	DWN	APVD		
AD	00						
		AM2	REVISED PER ECO-11-004587	11MAR11	RK	HMR	



CONTACT ARRANGEMENT

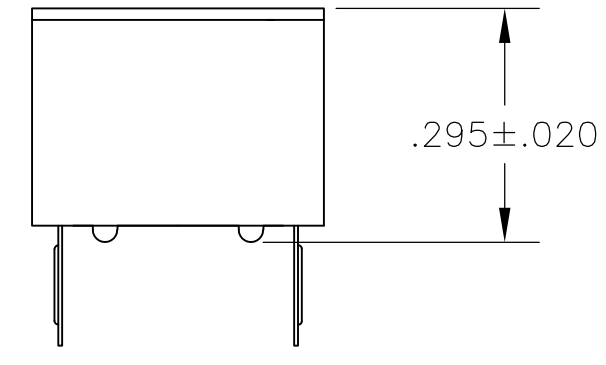
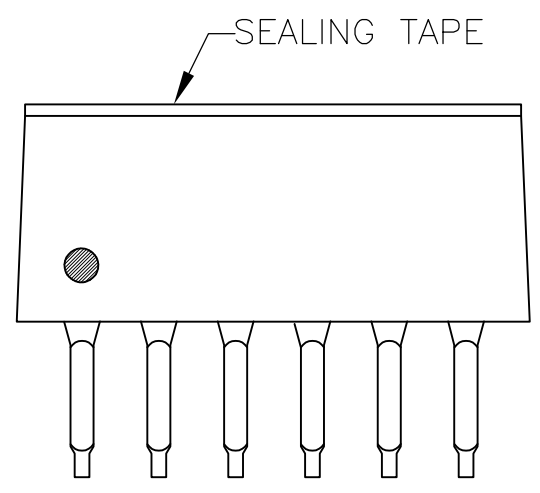


FIG1

435668-5 SHOWN

- FOR ADDITIONAL SPECIFICATIONS SEE AMP PRODUCT SPEC 108-7532.
  - SWITCH SHOWN IN OPEN POSITION.
  - ALL CHARACTERS AND ROCKERS ARE WHITE, HOUSING IS BLUE.
  - STAMPING WILL VARY ON 2 AND 3 POSITION SIDES DUE TO SPACE RESTRICTIONS.
- △ .315 DIMENSION APPLIES AT TERMINAL TIPS. TERMINALS ARE  $.300^{+.010}_{-.000}$  AT MOUNTING SURFACE.
- △ OBSOLETE PARTS: OBSOLETE CIS STREAMLINING PER D.RENAUD/D.SINISI

FIG	DESCRIPTION	NO OF POSN	PART NO
△ 6	OBSOLETE	5	8-435668-7
	OBSOLETE		8-435668-6
	OBSOLETE	12	8-435668-5
SUPERSEDED BY 2-435668-5 FIG 3 & 4			
	OBSOLETE	6	8-435668-3
		4	8-435668-0
		5	3-435668-5
		4	3-435668-4
		3	3-435668-3
	FIG 1	12	3-435668-2
		11	3-435668-1
		10	3-435668-0
		9	2-435668-9
		8	2-435668-8
		7	2-435668-7
		2	2-435668-6
		6	2-435668-5
SUPERSEDED BY 3-435668-2			
		12	1-435668-1
		10	435668-9
		9	435668-8
SUPERSEDED BY 2-435668-7			
		8	435668-7
		7	435668-6
		6	435668-5
		5	435668-4
		4	435668-3
		3	435668-2
		2	435668-1
SUPERSEDED BY 3-435668-3			
	△ 6		OBSOLETE

THIS DRAWING IS A CONTROLLED DOCUMENT.		DWN	R.TALLEY	02JAN90	 TE Connectivity							
DIMENSIONS: INCHES		CHK	R.MILLER	03JAN90								
TOLERANCES UNLESS OTHERWISE SPECIFIED:		APVD	H.LEITER	03JAN90								
0 PLC ± - 1 PLC ± - 2 PLC ± - 3 PLC ± .005 4 PLC ± - ANGLES ± -		PRODUCT SPEC										
MATERIAL: HOUSING & ROCKERS: POLYESTER; CONTACTS: COPPER ALLOY		FINISH	CONTACTS: PLATED .000030 MIN GOLD IN CONTACT AREA OVER .000050 MIN NICKEL		NAME	SWITCH ASSY, DIP, TYPE C, 7100 SERIES, SPST, LOW PROFILE						
		APPLICATION SPEC			SIZE	A2	CAGE CODE	00779	DRAWING NO	C=435668	RESTRICTED TO	-
CUSTOMER DRAWING		WEIGHT	-		SCALE	4:1		SHEET	1 OF 2		REV	AM2

THIS DRAWING IS UNPUBLISHED. RELEASED FOR PUBLICATION  
 © COPYRIGHT - By - ALL RIGHTS RESERVED.

LOC	DIST	REVISIONS					
AD	00	P	LTR	DESCRIPTION	DATE	DWN	APVD
		-	-	SEE SHEET 1	-	-	-

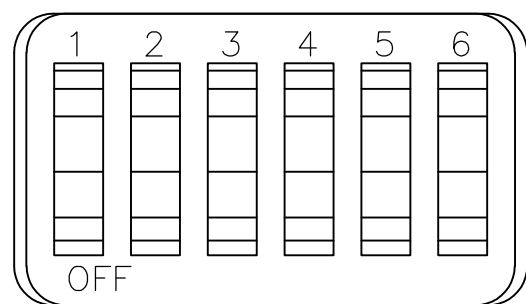


FIG 2

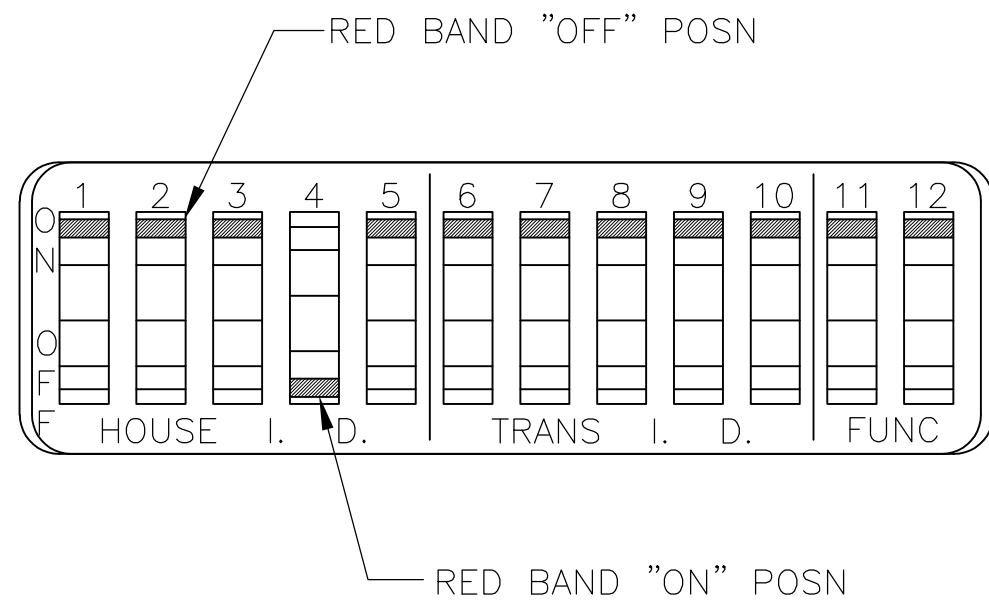


FIG 5

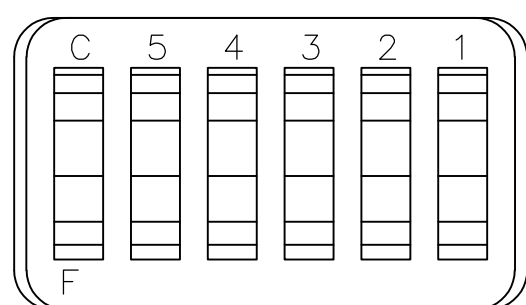


FIG 3

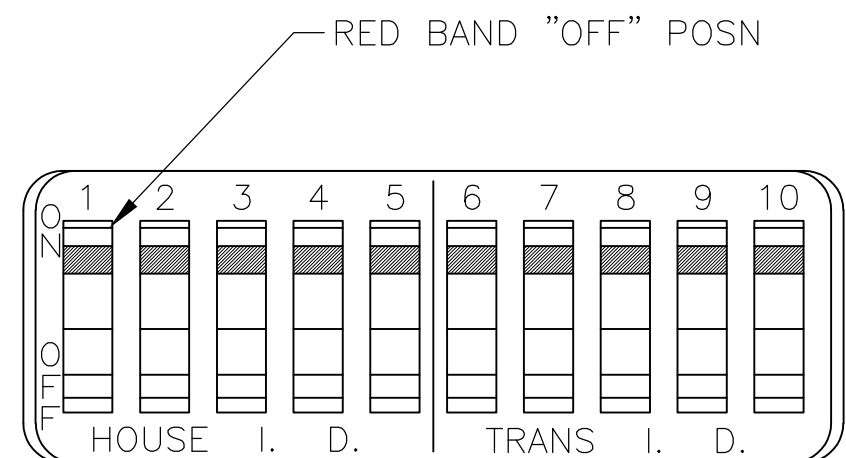


FIG 6

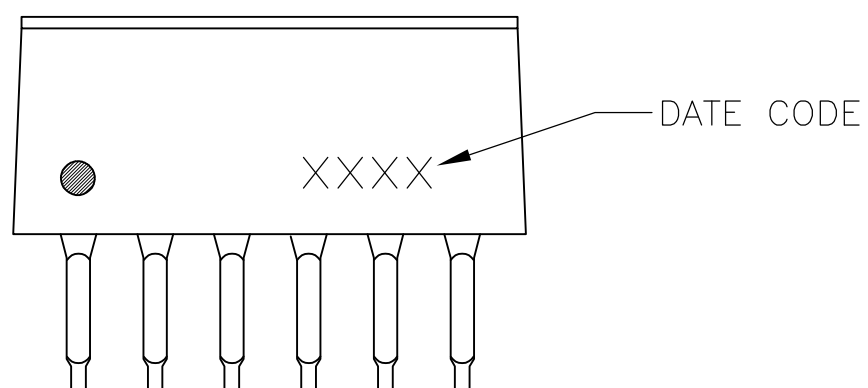


FIG 4

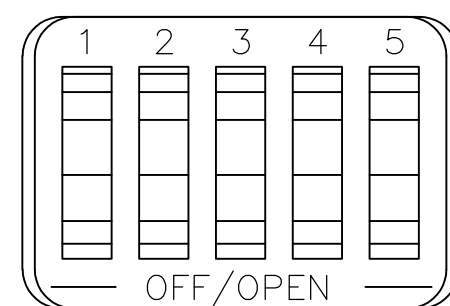


FIG 7

THIS DRAWING IS A CONTROLLED DOCUMENT.		DWN R.TALLEY 02JAN90		
DIMENSIONS: INCHES		CHK R.MILLER 03JAN90		
TOLERANCES UNLESS OTHERWISE SPECIFIED:		APVD H.LEITER 03JAN90	NAME SWITCH ASSY, DIP, TYPE C, 7100 SERIES, SPST, LOW PROFILE	
		PRODUCT SPEC -	SIZE A2	
MATERIAL		APPLICATION SPEC -	CAGE CODE 00779	DRAWING NO C=435668
FINISH		WEIGHT -	RESTRICTED TO -	SCALE 4:1
		CUSTOMER DRAWING	SHEET 2 of 2	REV AM2